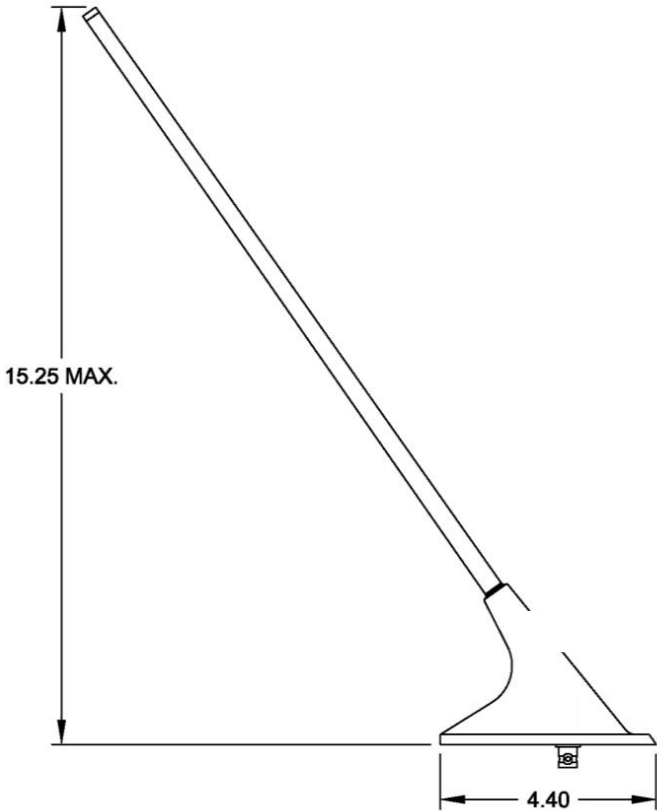


ANT-406RR - Rod Antenna

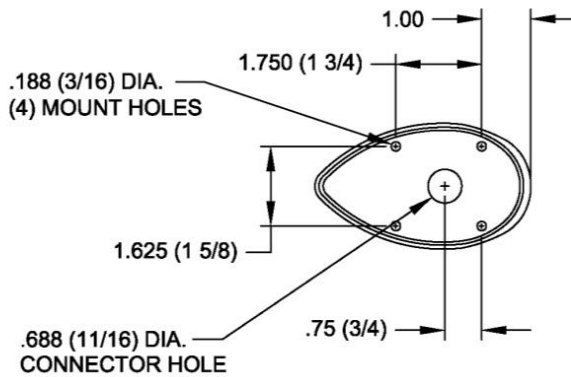
4 mount hole version



This antenna is intended for use with an ELT (Emergency Locator Transmitter) for general aviation. It is a passive three frequency fiberglass rod whip antenna, designed for low speed aircraft (up to 350 knots.).

PRODUCT SPECIFICATIONS

Application	Airborne ELT
Frequency	121.5, 243 & 406 MHz
Impedance	50 Ohms Nominal
VSWR	2.0:1 Max. at 121.5 MHz 2.5:1 Max. at 243 MHz 1.5:1 Max. at 406 MHz
Polarization	Vertical
Pattern	Omni-Directional
Connector	"BNC" Female
RF Power Handling	10 Watts CW



Max. Weight 0.36 lbs